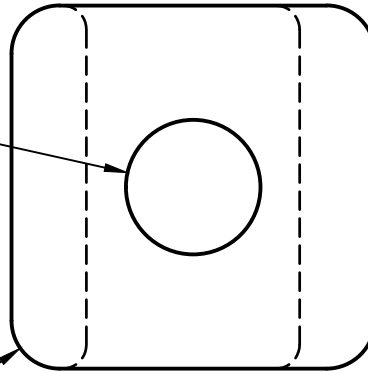
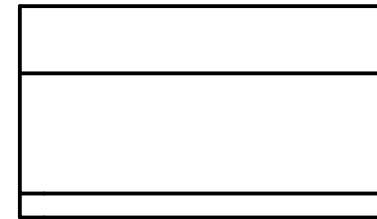
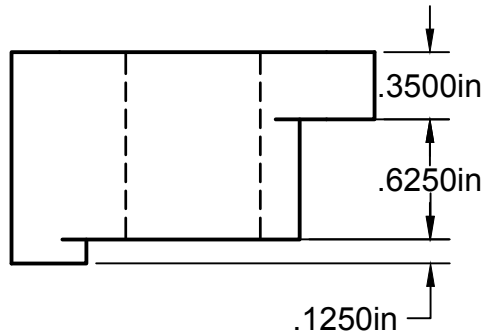
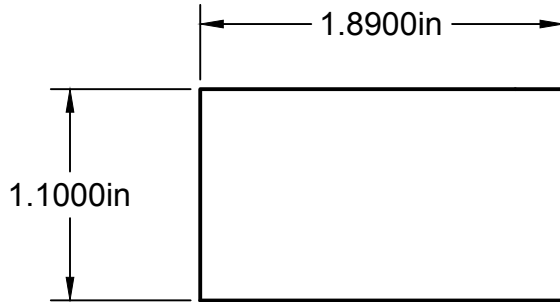
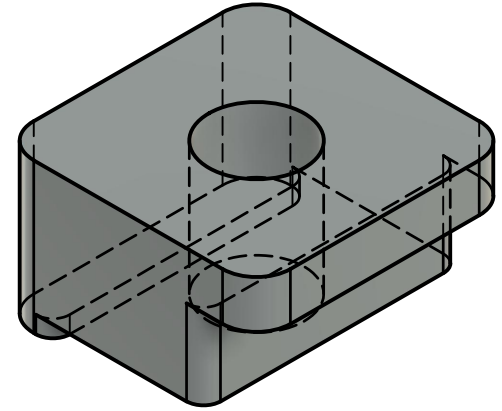


Ø.7000in



R.2500in



		PROJECT			
		Michael's Projects			
		TITLE			
		vise clamp blocks			
APPROVED	SIZE	CODE	DWG NO	REV	
CHECKED	A				
DRAWN	Michael Klotz	2/17/2020	SCALE 1:1	WEIGHT	
			SHEET 1/1		