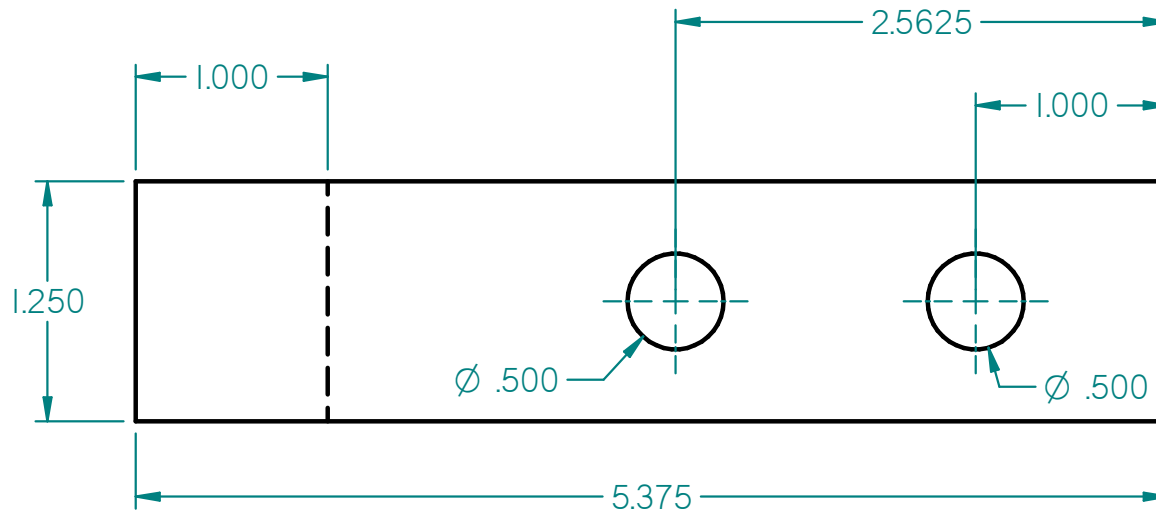


Bracket: A



	NAME	DATE		
DRAWN	mklotz70	02/18/13	<i>BLUEHANDSINC.COM</i>	
			RX-7 Auto/Manual Conversion Brackets	
UNLESS OTHERWISE SPECIFIED DIMENSIONS ARE IN INCHES			SIZE A	REV A
Material: .25" Mild Steel			Welded Brackets	
SCALE: 1:1			SHEET 2 OF 3	