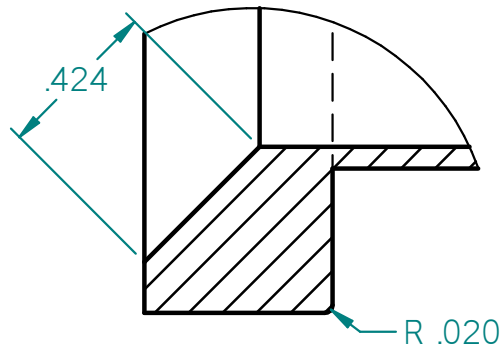
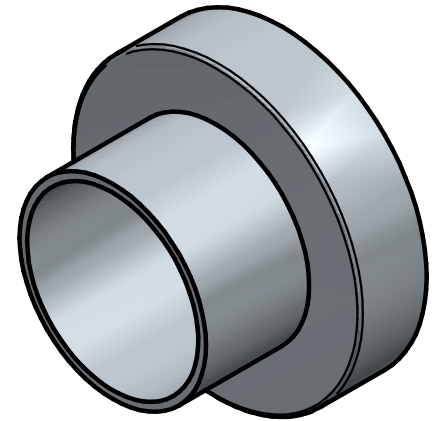
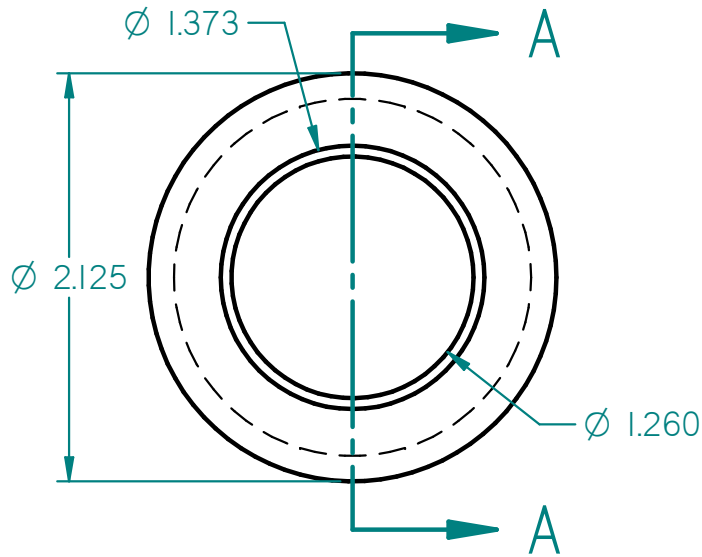
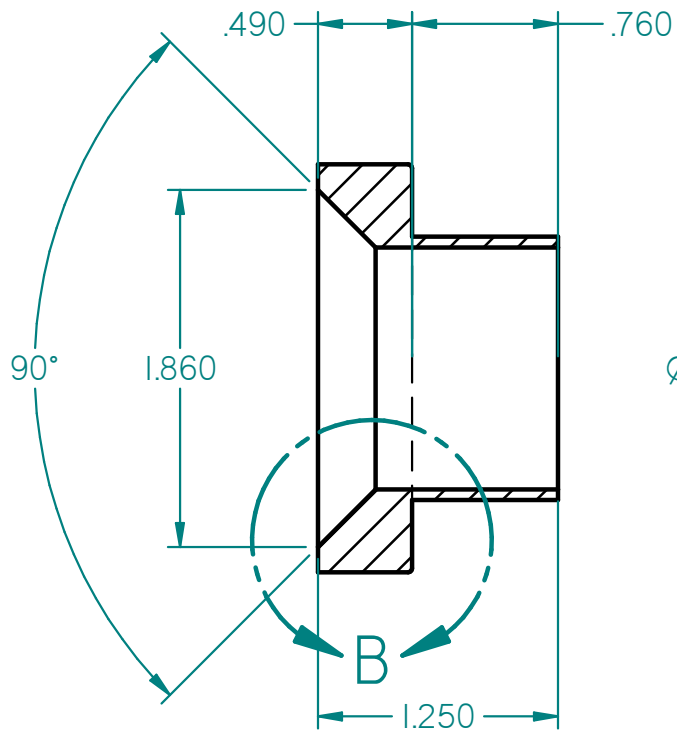


SECTION A-A



DETAIL B

DRAWN: MK	
Origin Date: 04/09/13	
REV Date:	
Material: mild steel	
Notes: For 620 kit, remove .080" base that goes against spindle boss.	

BLUEHANDS

BLUE HANDS mklotz70		
TITLE Inner Bearing Adapter, Truck		
SIZE A	DWG NO 1	REV 1
FILE NAME: InnerBrgAptr.dft		
SCALE: 1:1		SHEET 1 OF 1